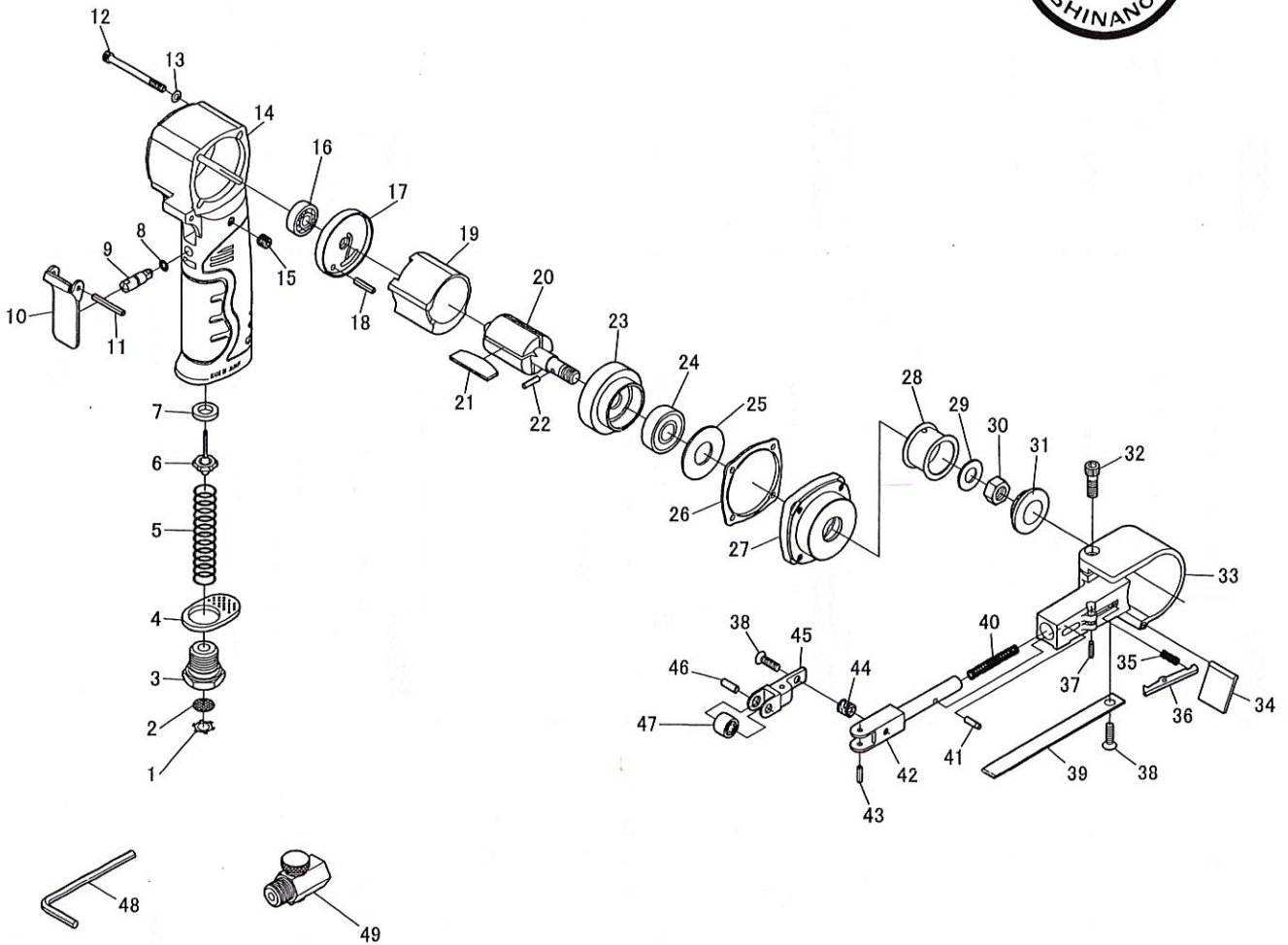


SI-2740

Belt Sander



Ref. No.	Parts No.	Description	Q'ty	Ref. No.	Parts No.	Description	Q'ty
1	CRTW-12	Retainer	1	26	529-3	Gasket	1
2	680-28A	Screen	1	27	529-2	Motor Nut	1
3	509-2	Inlet Bushing	1	28	509-22	Drive Pulley	1
4	509-3	Deflector	1	29	PW-80	Washer	1
5	139-15	Valve Spring	1	30	N2-M80	Nut	1
6	529-35	Valve	1	31	509-43	Pulley Cap	1
7	139-9	Valve Seat	1	32	Z-1024-150	Cap Screw	1
8	216-6	O-Ring	1	33	509-26B	Wheel Cover incl. Insert Spacer(509-32)	1
9	529-17	Valve Shaft	1	34	509-28	Apron	1
10	509-4B	Throttle Lever	1	35	482-46	Valve Spring	1
11	30-24	Roll Pin(3ø-24mm)	1	36	509-42	Stopper	1
12	Z-632-420	Cap Screw	4	37	25-10	Roll Pin(2.5ø-10mm)	1
13	PW-35	Washer	4	38	E-M40--120	Screw	1
14	529-1SI	Motor Housing	1	39	509-40	Shoe	1
15	ROM60---60	Set Screw	1	40	509-31	Tension Spring	1
16	626	Ball Bearing	1	41	509-30	Stopper Pin	1
17	529-5	Rear Plate	1	42	509-29	Tension Arm	1
18	30-15	Roll Pin(3ø-15mm)	1	43	30-11	Roll Pin(3ø-11mm)	1
19	529-6	Cylinder	1	44	509-39	Adjust Spring	1
20	509-16	Rotor	1	45	509-35	Adjust Arm	1
21	509-17	Rotor Blade	4	46	509-36	Pulley Pin	1
22	520-17	Pin	1	47	509-33A	Idle Pulley incl. Ball Bearing(L-940ZZ)	1
23	529-4	Front Plate	1	48	WRA-4	4mm Allen Wrench	1
24	6000ZZ	Ball Bearing	1	49	181-45	Air Regulator	1
25	509-44	Washer	1	* 50	509-45B	10mm Sanding Belt #60	6