

V AC PUMPS ISCOMAT GEAR



EN. Gear Pumps. The “Viscomat” is a family of internal profile gear pumps designed as the modern, effective solutions for various requirements of pumping oils and lubricants.

ES. Bombas de engranajes. “Viscomat” es una familia de bombas de engranajes con perfil interno que ha sido concebida como una válida y moderna solución para las diferentes exigencias de bombeo de los aceites lubricantes.

PT. Bombas a engrenagens. “Viscomat” é uma família de bombas de engrenagens de perfil interno concebidas como soluções válidas e modernas para as várias exigências para bombear óleos lubrificantes.

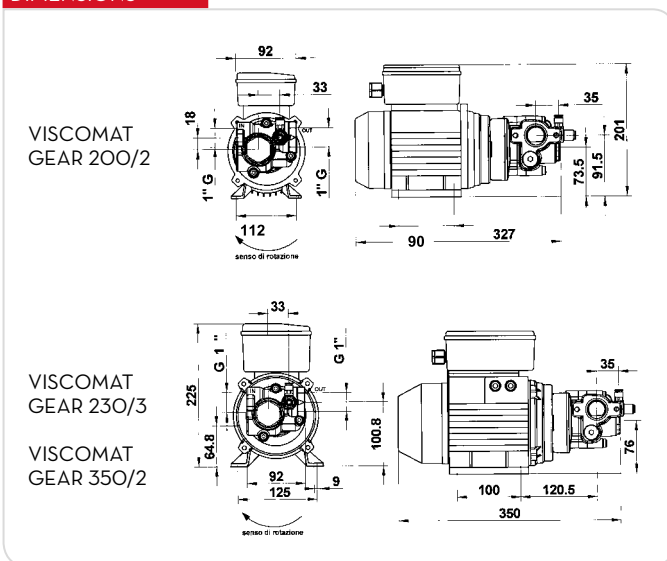
PERFORMANCE

- Viscosity up to 2000 cSt
- Flow rates 9 - 14 l/min.
- Pressures 12 - 25 bar
- Continuous AC operation.
- Noise level below 70 dB

- Viscosidad hasta 2000 cSt
- Caudales 9 - 14 l/min
- Presiones hasta 12 - 25 bar
- Funcionamiento continuo CA
- Nivel sonoro inferior a 70 dB

- Viscosidade até 2000 cSt
- Caudal de 9 a 14 l/min.
- Pressões até 12 a 25 bar
- Funcionamento contínuo AC
- Ruído inferior a 70 dB

DIMENSIONS



PRODUCTS' RANGE WEIGHT AND PACKAGING

Code	Weight		Packaging		
	kg	lbs	mm	inch	pcs/box
F0030403D	9	19,8	350x200x280	13,8x7,9x11	1
F0030430D	12,5	27,6	350x200x280	13,8x7,9x11	1
F0030401D	12,5	27,6	350x200x280	13,8x7,9x11	1
F0030405D	9	19,8	350x200x280	13,8x7,9x11	1
F00304T1D	12,5	27,6	350x200x280	13,8x7,9x11	1
F00304T4D	12,5	27,6	350x200x280	13,8x7,9x11	1



Flow-rate

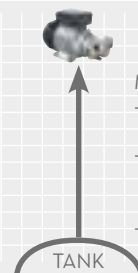
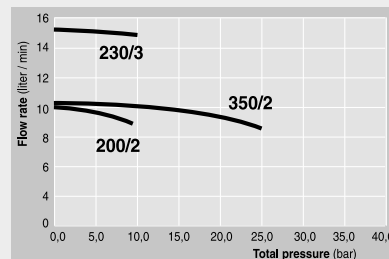
up to
14 l/min
(up to 3,7 gpm)

Viscosity

up to
2000
cSt



VISCOMAT GEAR



Max suction height
- 2 m (7 Ft)
w/o no back valve
- 4 m (14 Ft)
w no back valve
- Tubo Ø 1"

FEATURES

Gear rotor



Adjustable bypass valve



Flanged connection



ON REQUEST

PRODUCTS' RANGE TECHNICAL DATA

Code	Description	Fluids type	Flow-rate		Pressure		Voltage			rpm	Inlet Outlet	Bypass valve
			l/min	gpm	bar	psi	Motor V/Hz	Power Watt	Amp. max.			
F0030403D	Viscomat 200/2 M. single-phase	☉	9	2,4	12	170	230/50/60	800/950	3,8/4,6	1450/1700	1" BSP	YES
F0030430D	Viscomat 230/3 M. single-phase	☉	14	3,7	16	227	230/50	1250	6	1400	1" BSP	YES
F0030401D	Viscomat 350/2 M. single-phase	☉	9	2,4	25	355	230/50	1200	6	1250	1" BSP	YES
F0030405D	Viscomat 200/2 three-phase	☉	9	2,4	12	170	400/50	550	1,5	1450	1" BSP	YES
F0030411D	Viscomat 350/2 three-phase	☉	9	2,4	25	355	400/50	750	2,5	1450	1" BSP	YES
F0030414D	Viscomat 230/3 three-phase	☉	14	3,7	12	170	400/50	1200	2,7	1400	1" BSP	YES

Upon request it is available with different voltage and frequency - (*) Without Adjustable Bypass valve